



**Cambridge Connectors™**

A Division of Cambridge Electronic Industries Ltd.

New Product Press Release - for immediate release

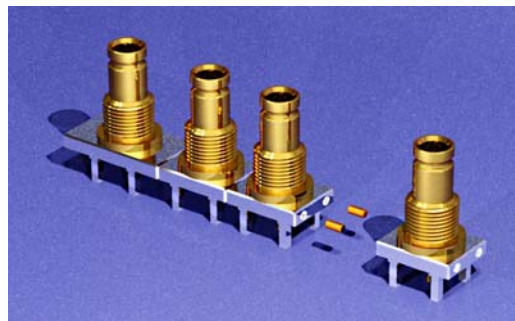
## **Cambridge Connectors Introduces Multi-Connector range for CoaXPress® Applications**

*This precision 6GHz 1.0/2.3 Stackable Multiport Connector system meets the requirements of the J11A ratified CoaXPress® (CXP) specification for use in High Speed Image and Data Transmission.*

Engineered for CoaXPress® applications, Cambridge Connectors' **CoaXvision™** range meets the needs of the Machine Vision industry, providing a small form factor stackable multi-port connector system which can operate in high speed, high definition video applications and offers polarised inter-connection capabilities. The system comprises two connector body widths (13 and 9 mm) secured together with precision press fit links providing an array of connector ports with precise pitch separations of 9 and 11 mm. A multi-way connector is formed with 'n' down-connection ports plus one high speed up-connection port. Standard configurations are anticipated to provide 2 ports, 4+1 ports and 6+1 ports but the flexibility of the system means that a wide variety are available pre-configured by Cambridge Connectors. Being an important feature of the CoaXPress® Standard, each port on the right angle version can incorporate a light pipe to display identification or status data; a straight version is also available. The secure latching mechanism, compatible with standard 1.0/2.3 connectors, provides high connection integrity with a simple push/pull operation.



R/A 4+1 Port Version  
With light pipe feature



Straight 3+1 Port Version

### **Cambridge Connectors™**

A division of Cambridge Electronic Industries Ltd.  
Denny Industrial Centre, Waterbeach, Cambridge,  
England, CB25 9QR

[www.cambridgeconnectors.com](http://www.cambridgeconnectors.com)

Tel: +44 (0)1223 860041

Fax: +44 (0)1223 863625

# **CoaXvision™**

