

Co-axial Connectors

Cambridge Connectors

Real 75 Ohm BNC connectors for HDTV Broadcast Applications

Edge card mounting

Features

- Real 75 Ohm BNC Connector
- Designed for HD SDV applications
- PCB edge mounting style minimises signal path discontinuities
- 75 ohm optimised PCB layout guide available
- RoHS Compliant
- Low profile feature gives high wiring densities
- Real 75 ohm BNC patch leads also available

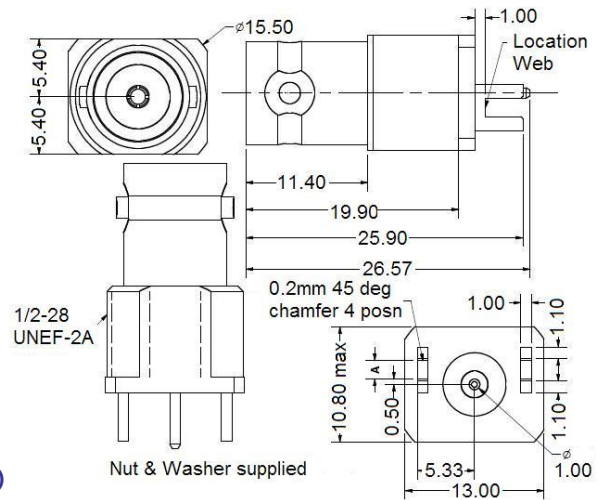
A 75 ohm optimised PCB layout guide is available on request.

General Description

BNC, female bulkhead 75 ohm PCB edge mount connector.

Applications

It is specifically designed for the broadcast industry for use in HDTV, Serial Video applications where accurate 75 ohm connectivity is necessary.



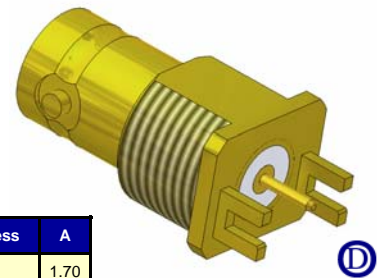
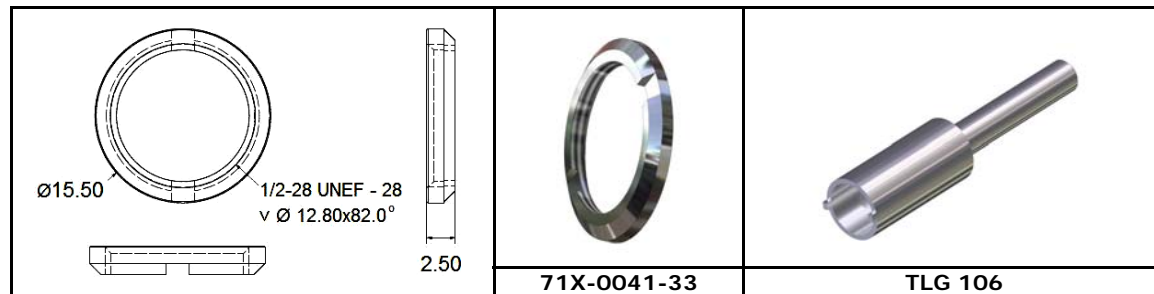
Specification

Electrical	
Impedance	75 Ohm
Frequency Range	0 – 3.0 GHz
Working Voltage	500 V _{rms}
Dielectric Withstanding Voltage	1500 V _{rms}
Reflection Factor (VSWR)	1.08 ^(Max) DC-1.5GHz 1.16 ^(Max) 1.5GHz-3.0GHz
Contact Resistance	Centre contact 1.5 m ohm Outer contact 1.0 m ohm
Insulation Resistance	> 5000 Meg Ohm
*Materials	
Centre Pin - female	Phosphor Bronze/10μ " Au
- male	Brass
Metal Parts	Brass / Nickel
Insulators	Teflon®

*Other materials such as Gold Plating (as illustrated) are available to customer requirement.

Slotted circular nuts for bulkhead mounted BNC connectors

To meet the requirement for increased wiring densities, Cambridge Connectors offers the choice of slim line slotted circular nuts for use with its bulkhead mounted real 75 ohm BNC connectors. Available as an optional extra, these enable the connectors to be mounted on a 16 mm pitch. A special matching tool, TLG 106, is available.



Part Number	PCB thickness	A
C-SX-058	1.6mm	1.70
C-SX-072	2.4mm	2.50
C-SX-073	3.2mm	3.30
C-SX-074	3.6mm	3.70

© All Connectors Design Right Protected



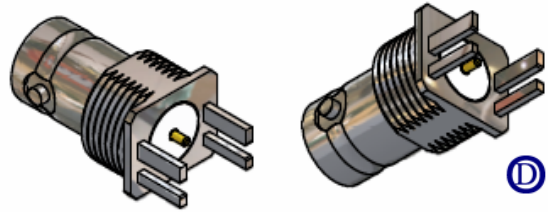
Co-axial Connectors

Cambridge Connectors

Real 75 Ohm BNC connectors for HDTV Broadcast Applications
Edge card mounting

Features

- Real 75 Ohm BNC Connector
- Designed for HD SDV applications
- PCB edge mounting style meets existing industry standard footprint
- 75 ohm optimised PCB layout guide available
- RoHS Compliant
- Low profile feature gives high wiring densities
- Real 75 ohm BNC patch leads also available



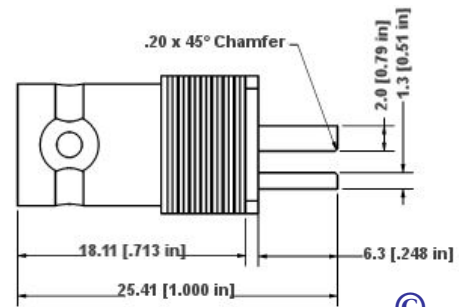
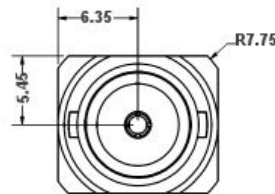
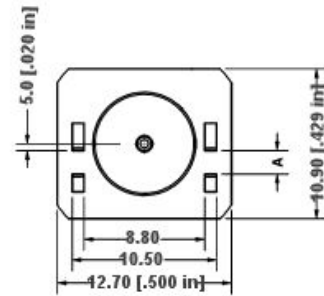
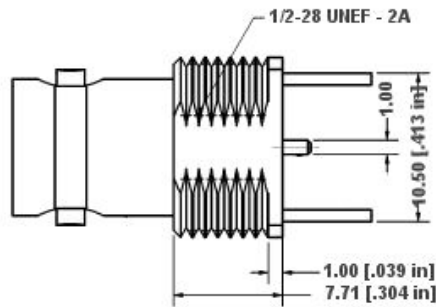
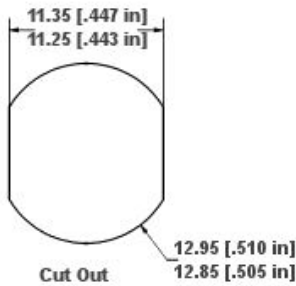
A 75 ohm optimised PCB layout guide is available on request.

General Description

BNC, female bulkhead 75 ohm PCB edge mount connector meeting existing industry standard layout.

Applications

It is specifically designed for the broadcast industry for use in HDTV, Serial Video applications where accurate 75 ohm connectivity is necessary.



Specification	
Electrical	
Impedance	75 Ohm
Frequency Range	0 – 3.0 GHz
Working Voltage	500 V _{rms}
Dielectric Withstanding Voltage	1500 V _{rms}
Reflection Factor ^(VSWR)	1.08 ^(Max) DC-1.5GHz 1.16 ^(Max) 1.5GHz-3.0GHz
Contact Resistance	Centre contact 1.5 m ohm Outer contact 1.0 m ohm
Insulation Resistance	> 5000 Meg Ohm
*Materials	
Centre Pin - female	Phosphor Bronze/10μ ² Au
- male	Brass
Metal Parts	Brass / Nickel
Insulators	Teflon [®]

*Other materials such as Gold Plating (as illustrated) are available to customer requirement.

© All Connectors Design Right Protected

Part Number	Gold plate Part Number	PCB thickness	A
C-SX-077	C-SX-077G	1.6mm	1.70
C-SX-080	C-SX-080G	2.4mm	2.50
C-SX-081	C-SX-081G	3.2mm	3.30
C-SX-082	C-SX-082G	3.6mm	3.70

