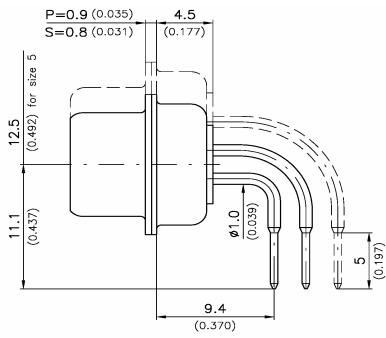
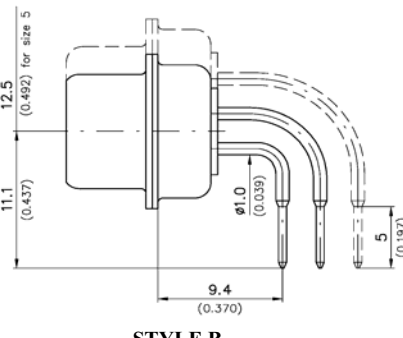


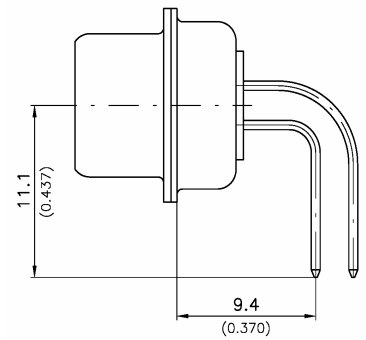
**D Sub-Miniature Connectors Right Angle PCB Mounting Termination Styles:- Turned Pin Contacts**



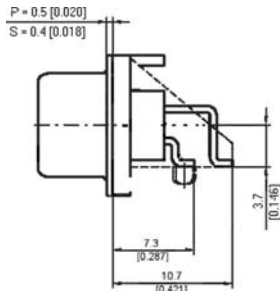
**STYLE A**  
Spacing 2.54mm (0.100")  
Pin Ø 0.6mm (0.024")



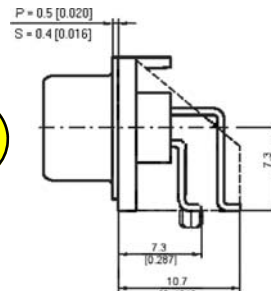
**STYLE B**  
Spacing 2.84mm (0.112")  
Pin Ø 0.6mm (0.024")



**STYLE F**  
Spacing 2.54mm (0.100")  
Pin Ø 0.6mm (0.024")



**STYLE K—SMT(Supplied Reeled)**



**STYLE N (Supplied Reeled)**

Ordering Code Straight & Right Angle

D S S - 15 - S D 1 (012)

**Series:**

D = D Subminiature

**Product Gender:**

P = Plus

S = Socket

**Product Version:**

S = Standard version with screw machined captive contacts

B = Low cost version with screw machined captive contacts

L = Standard version with stamped and formed captive contacts

A = SMT

**No. of contacts:**

9, 15, 25, 37, 50

**Termination Style:**

S = Solder Bucket

P = Straight PCB

W = Wire Wrap

H = Straight Press Fit

A = Right Angle PCB 2.54mm (0.100") spacing; pin Ø 0.6mm (0.024")

B = Right Angle PCB 2.84mm (0.112") spacing; pin Ø 0.6mm (0.024")

F - Right Angle PCB 21.54mm (0.100") spacing; pin Ø 0.6mm (0.024") over entire length

J - PCB Edge Mount 1.6mm thick

K - Low Profile (3.7mm PCB to centre line) SMT right angle (Supplied Reeled)

N - Std. profile (7.3mm PCB to centre line) SMT right angle (Supplied Reeled)

**Contact Plating:**

A = 0.2 microns (0.000008") Au over nickel

D = Gold flash over nickel

**Mounting Style:**

1 = Standard flanged mounting

2 = Float mount rear panel mounting

3 - Float mount front panel mounting

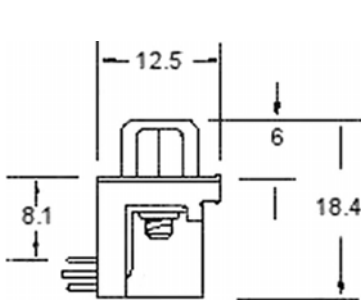
12 - 4-40 UNC clinch nuts, rear mounted for other styles refer to examples see over

**Modification Code:**

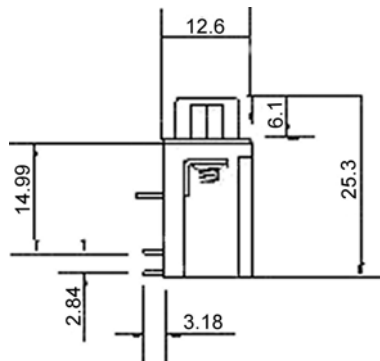
(011) = Socket with tin plated shell

(012) = Plug with tin plated indented shell

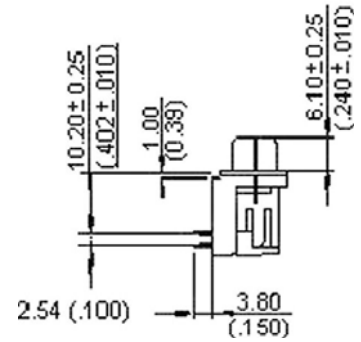
Right Angle PCB Mounting - Stamped and Formed



**“Short American Footprint”**  
Footprint 8.08mm (0.318”)  
Spacing 2.84mm (0.112”)  
Pin Ø 0.6mm (0.024)



**“Long American Footprint”**  
Footprint 14.99mm (0.590”)  
Spacing 2.84mm (0.112”)  
Pin Ø 0.6mm (0.024)



**“European Footprint”**  
Footprint 10.2mm (0.402”)  
Spacing 2.54mm (0.100”)  
Pin Ø 0.6mm (0.024)

Ordering Code

D S Y - 25 - B D 12 AD

**Series:**

D = D Subminiature

**Product Gender:**

P = Plus

S = Socket

**Product Version:**

E = Euro footprint - .402" (10.2mm)

W = Short American footprint - .318" (8.08mm)

Y = Long American footprint - .590" (14.99mm)

**No. of contacts:**

9, 15, 25, 37

**Termination Style:**

A = .100" (2.54mm) row to row

B = .112" (2.84mm) row to row

**Contact Plating:**

D = 0.000004" (0.1 microns) approx. Gold over 0.000050" nickel

C = 0.000030" Gold over Nickel

T = Tin Lead over the w hole contact surface

F = Gold Flash on the mating surface w ith Tin lead tails

H - 0.000030" Gold on the mating surface and Tin Lead on the tails

**Mounting Style Vertical Face:**

12 = Clinch nut 4.40 UNC rear mounting

17 - Hex. Nut 4.40 UNC (female screw lock)

**Mounting Style - Horizontal Face:**

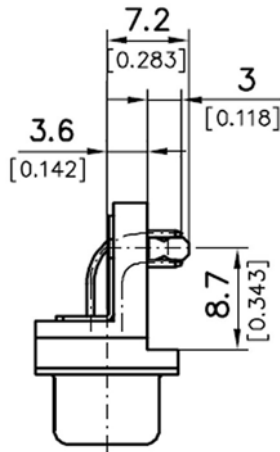
AA = Metal bracket w ith through hole

AD = Metal bracket w ith short grounding lock clip

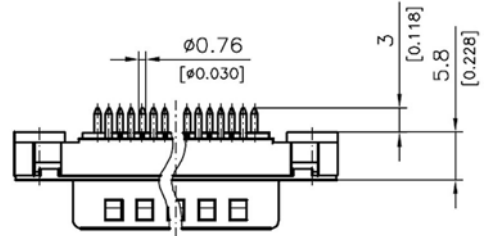
Low Profile D Subminiature Connectors

Due to their low profile the connectors can be used in typical applications such as in 19" assembly systems meeting DIN41494 standards.

Dimensions



Right Angle PCB Mount



Straight PCB Mount



Ordering Code

D P S - 25 - G D 1 (012)

**Series:**  
D = D Subminiature

**Product Gender:**  
P = Plus  
S = Socket

**Product Version:**  
S = Standard version with screw machined captive contacts  
L - Standard version with stamped and formed captive contacts

**No. of contacts:**  
9, 15, 25, 37, 50

**Termination Style:**  
G = Right Angled Low Profile  
(centre to PCB 3.6mm) 2.54mm (.1")  
row to row 0.6mm (.024") dia.  
T = Straight low profile (PCB to flange 5.8mm)  
2.84 row -row

**Contact Plating:**  
A = 0.2 microns (0.000008") Au over nickel  
C = 0.000030" Au over nickel  
D = Gold flash over nickel

**Mounting Style:**  
27 = 4-40 UNC thread, front mounted  
28 = M3 thread, front mounted

**Modification Code:**  
(011) = Socket with tin plated shell  
(012) = Plug with tin plated indented shell

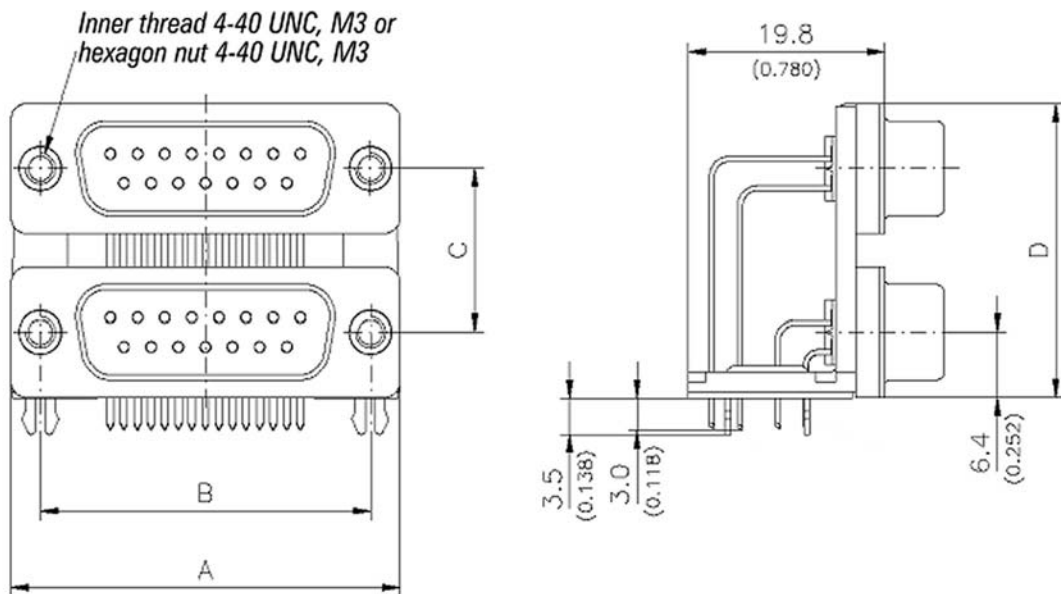
Dual Port connectors

Compatible with standard D Subminiature connectors

- Available in 3 height separation sizes: 22.86; 19.05; 15.88mm
- Standard shell sizes of 9, 15, 25 and 37 contacts
- Dual Port construction allows a higher number of connections per footprint area.
- Row to row spacing 2.84mm



Dimensions



No. of Contacts	A	B	C			D		
			Small	Medium	Large	Small	Medium	Large
2 * 9	30,8 (1.213)	25,0 (0.984)	15,88 (0.625)	19,05 (0.750)	22,86 (0.900)	28,48 (1.121)	31,65 (1.246)	35,46 (1.396)
2 * 15	39,1 (1.539)	33,3 (1.311)	15,88 (0.625)	19,05 (0.750)	22,86 (0.900)	28,48 (1.121)	31,65 (1.246)	35,46 (1.396)
2 * 25	53,0 (2.087)	47,04 (1.852)	15,88 (0.625)	19,05 (0.750)	22,86 (0.900)	28,48 (1.121)	31,65 (1.246)	35,46 (1.396)
2 * 37	69,3 (2.728)	63,5 (2.500)	15,88 (0.625)	19,05 (0.750)	22,86 (0.900)	28,48 (1.121)	31,56 (1.246)	35,46 (1.396)

**Dual Port Connectors**

Ordering Code

D C N - 09 09 A - A A 01 A A

**Series:**  
D = D Subminiature

**Product Gender:**  
A = Plug-Plug    B = Plug-Socket  
C = Socket-Plug   D = socket-Socket  
1st Gender - top connector

**Product Version:**  
N = Dual Port

**No. of contacts on top connector:**  
9, 15, 25, 37, 50

**No. of connects on bottom connector:**  
9, 15, 25, 37, 50

**Pitch between connectors:**  
A = 22.86  
B = 19.05

**Contact Termination Style:**  
A = Right angled stamped & formed short American footprint

**Contact Plating:**  
A = 000008" Gold Flash over Nickel  
B = 000020" Gold over Nickel  
C = 000030" Gold over Nickel

**Mounting Style - Vertical Face:**  
01 - Standard Flange Mounting  
12 - Clinch nut mounting for right angled contacts, 4-40 UNC standard thread, rear mounting

**Mounting Style - Horizontal Face:**  
A = Metal bracket with mounting holes, distances from connector flange face 7.75 and 15.62mm  
B = Metal bracket with mounting holes, distances from connector flange face 9.50 and 16.26mm

**Mounting Style - Horizontal Face:**  
A = With Board Lock  
B = With Standard Thru Holes